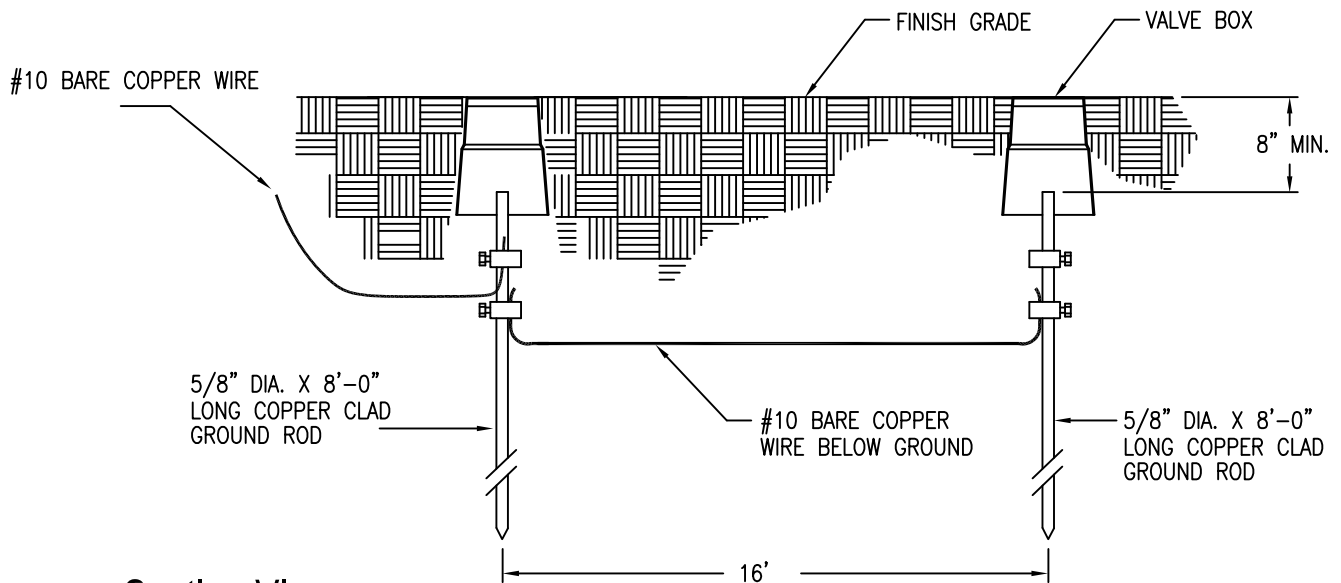


Plan View



Section View

1. TEST THE NETWORK FOR EARTH-TO-GROUND RESISTANCE AFTER THE BACKFILL MATERIAL HAS HAD SUFFICIENT TIME TO SETTLE.
2. RESISTANCE READINGS GREATER THAN 5 OHMS INDICATE INSUFFICIENT GROUNDING.
3. INSTALL ADDITIONAL GROUND RODS, PLATES AND GROUND-ENHANCING MATERIALS AS REQUIRED TO ACHIEVE RESISTANCE READINGS OF 5 OHMS OR LESS.
4. GROUND RODS AND PLATES SHALL BE INSTALLED AT THE RECOMMENDED DISTANCES AS SHOWN IN THE DETAIL DRAWING.
5. FOR ADDITIONAL INFORMATION ON PROPER GROUNDING EQUIPMENT AND TECHNIQUES, REFER TO THE GUIDELINES PUBLISHED BY THE AMERICAN SOCIETY OF IRRIGATION CONSULTANTS (ASIC):  
 "ASIC GUIDELINE 100-2002 (JANUARY 2002) FOR EARTH GROUNDING ELECTRONIC EQUIPMENT IN IRRIGATION SYSTEMS".

## Controller Grounding - Ground Rod Network