



Hybrid 3D-24



Applications

- Landscape & Turf
- Greenhouse, Nursery & Industrial
- Agriculture
- Golf

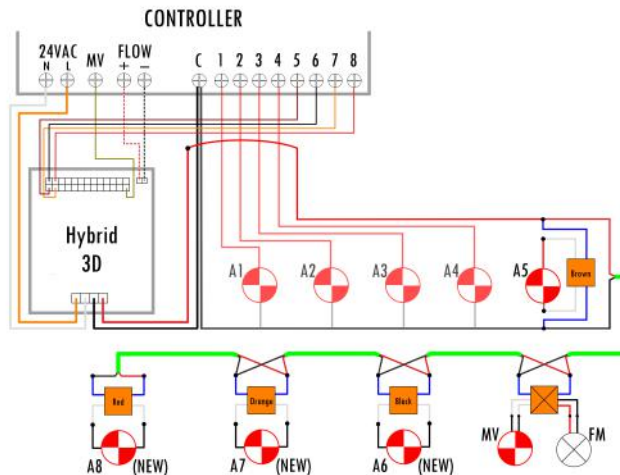
The Tucor Hybrid 3D is an efficient & intelligent retrofit tool for easy expansion, maintenance, or improvement of your existing conventional system. Using Tucor's patented wire-sharing 2-Wire technology, add a flow meter & master valve, up to 23 valves, or work around broken wires & site limitations, all while using wires you already have in the field & the capacity available in your conventional controller.

With Tucor's Hybrid 3D-24

- Expand one station at a time up to 23 stations with the flexibility of 2-Wire while keeping the conventional zones you already have
- Add a master valve and flow meter to your system on top of your existing valves' ground wire and shared common
- Convert a conventional controller to 2-Wire in a cost-effective way
- Eliminate Battery-Powered Nodes simply & with less trenching
- Save time & money on wire installation with wire-sharing technology (limited trenching & boring with 2-Wire)
- Expand without adding another controller or condense the number of existing controllers (compatible with the industry's leading conventional controllers)
- Utilize Tucor's high-quality 2-Wire technology & decoder system for a flexible installation that lasts
- Detect field problems fast with optional LED Diagnostic Lights on 3DLD-050 & 3DFMV-M Decoders

Hybrid 3D-24 Example Use Case

Using (1) 3D-FMV-M & (2) 3DLD-050s to add a Flow Meter. MV & (1) additional station to a controller with (5) existing zones



3D-24
Controller 2-Wire
Adaptor Unit



3DLD-050
Valve decoder



3D-FMV-M
Flow Meter/MV Decoder
(Pre-Programmed)

Area Zone Master Valve Flow Meter 3D-FMV Decoder 3DLD-050 Decoder



800-272-7472
tucormail@tucor.com

Tucor, Inc. 330 Perry Highway Harmony, PA 16037
www.tucor.com

@Tucor, Inc. @tucor-inc
@TucorInc @TucorInc



Hybrid 3D-24



SPECIFICATIONS

Installation - Controller	Wire 3D-24 adaptor directly to existing controller terminals
Installation - Field	Transition Valve(s): Splice 3DLD-050 decoder to hot wire of existing valve, AC Solenoid and 2-Wire path. Perform Tucor Wire Quality Check to determine quality of Hot Wire.
	New Valve(s) and/or Master Valve: Add 1 3DLD-050 per new valve & AC Solenoid along 2-Wire.
	Flow Meter & Master Valve: Add 1 3D-FMV-M to the Flow Sensor & Master Valve.
2-Wire distances (1 Valve/ 2 Valves or 1 Valve + MV/ 2 Valves or 1 Valve + MV/	16 AWG; 6,000'/4,600'/3,000'
	14 AWG; 8,000'/6,000'/4,000'

HYBRID 3D-24 ADAPTOR

Housing	Schedule 80 PVC
Maximum 2-Wire Capacity	1 3DLD-050 as transition valve, 23 3DLD-050s to add new valves along 2-Wire path, & 1 3D-FMV-M to add a flow sensor & master valve.
Power	24 VAC, sourced from current controller
LED Indicator Lights	Green for Ready or Active, Red for Error

3DLD-050

Function	Single-address decoder for new valve or 1 master valve addition along 2-Wire path (1 3DLD-050 per new valve). Acts as transition point between conventional valve wire and new 2-Wire path. One 3D can support multiple transition points.
LED Light Indicators (optional)	Steady Blue for system active, Steady Green for valve active
Programming	Pre-programmed if ordered as non-stock quantity, programmable though Tucor Handheld Programmer (recommended) or 3D Programming Terminals.
Wire	2 Blue for Line, 2 White for solenoid

3D-FMV-M

Function	Combination flow meter and master valve decoder, add directly to 2-Wire path or share existing master valve wires if just adding flow sensor
LED Light Indicators	Blinking White for flow sensor active; Steady Blue for system connected, Steady Green for master valve active
Programming	None required, pre-programmed
Wire	Red & Black for Flow+ & Flow-, (2) Blue for Line, (1) Green/Yellow striped for Ground, (2) White for solenoid, Orange (Optional) for 5 VDC Power for Photo Diode

HAND DECODER HELD PROGRAMMER (HCP)

LED Display	Numeric keyboard & backlit digital display. Programmer/tester for 3DLD-050 decoders (Hybrid 3D). 3D-FMV-M decoders are pre-programmed. Can also be used to program/test RKDLD-050 Decoders (RKD/RKD+/LTD/TDI/TDI-F Controllers & Interfaces).
-------------	---

HOW TO ORDER

3D-24	3D with 2-Wire output for up to 24 valves, flow sensor, master valve, NEMA 4x enclosure and flex conduit connection. Includes DLB as of 2/1/21.
3DLD-050	Single Valve Line Decoder for use with 3D. Will be pre-programmed if ordered with in conjunction with Hybrid 3D 6 or 24
3DLD-050-L	Tucor Single Valve Line Decoder with LED diagnostics for use with 3D. Will be pre-programmed if ordered with in conjunction with Hybrid 3D 6 or 24
3D-FVM-M	Combination 3DSD-100-M and 3DLD-050-MV for flow sensor and master valve
3D-FMV-M-L	Tucor Combination 3DSD-100-M and 3D-FMV-M For Flow Sensor and Master valve with LED diagnostics. Will be pre-programmed if ordered with in conjunction with Hybrid 3D-6 or 24
HCP	Tucor Hand Held Decoder Programmer

