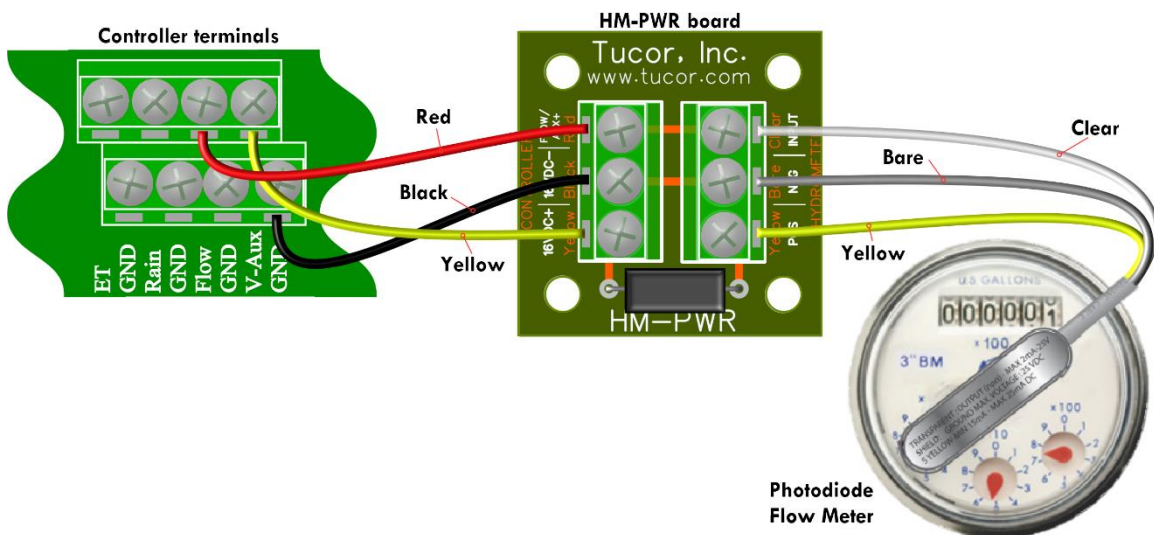
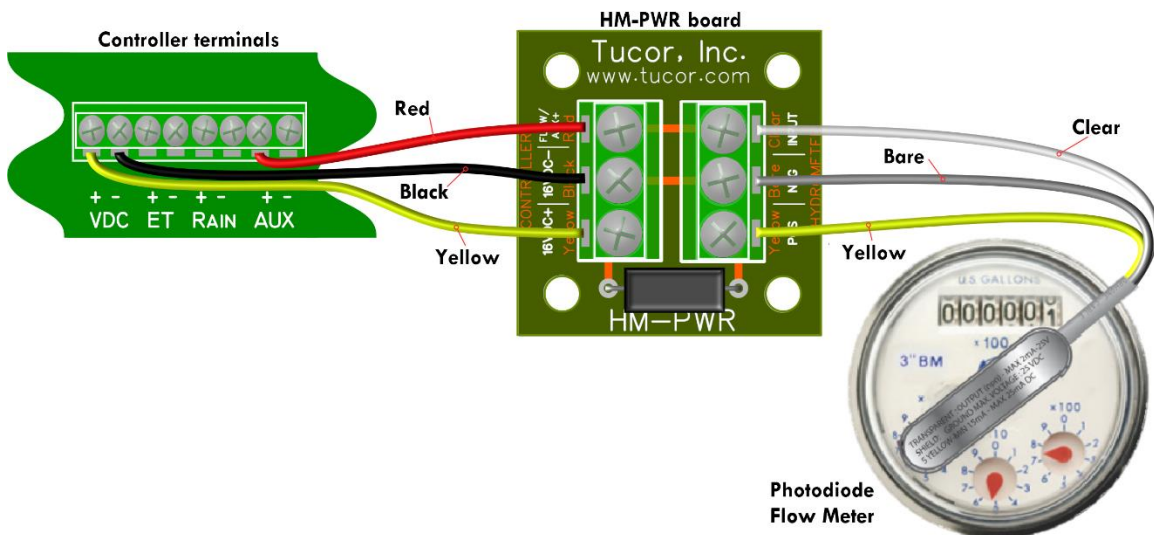


Connecting a Photodiode Flowmeter to a Tucor Controller using the HM-PWR Board

Photo diode flow meters require DC power to operate. A resistor is required to limit current and the value is based on the DC voltage being applied. The Tucor HM-PWR automatically adjusts to a range of controller voltages using a variable resistor.



For additional support, contact Tucor Technical Services:
 1-800-272-7472 support.tucor.com tech@tucor.com