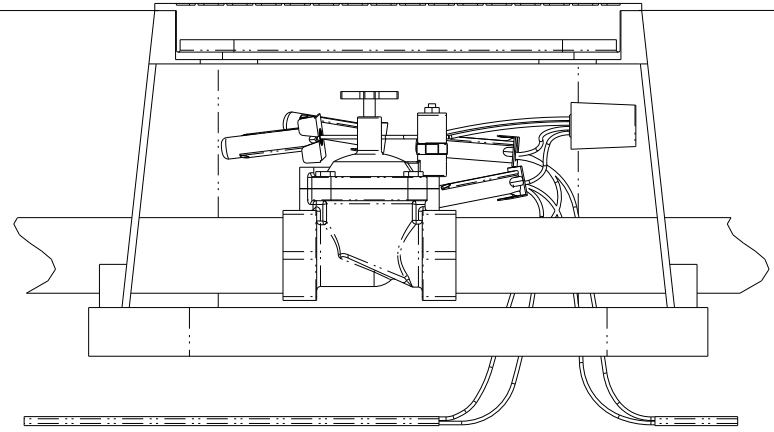
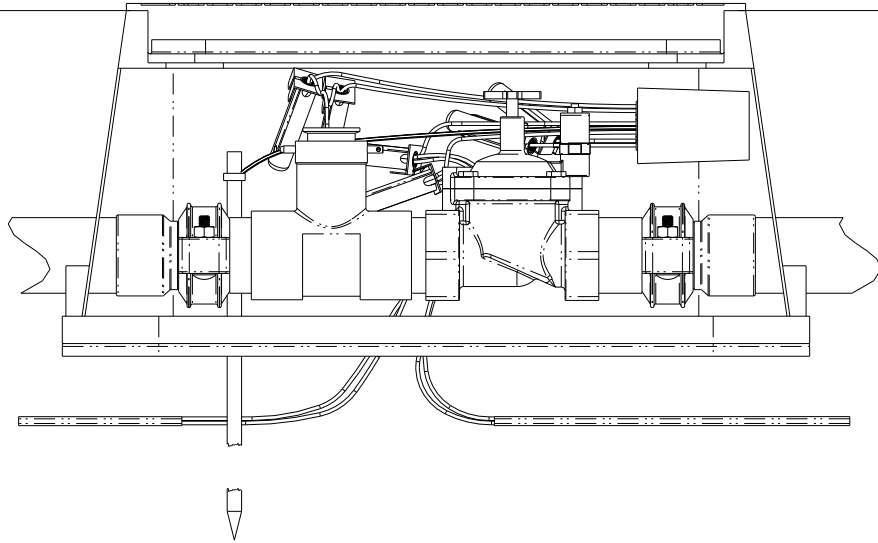


SOIL LEVEL



TUCOR  
INC

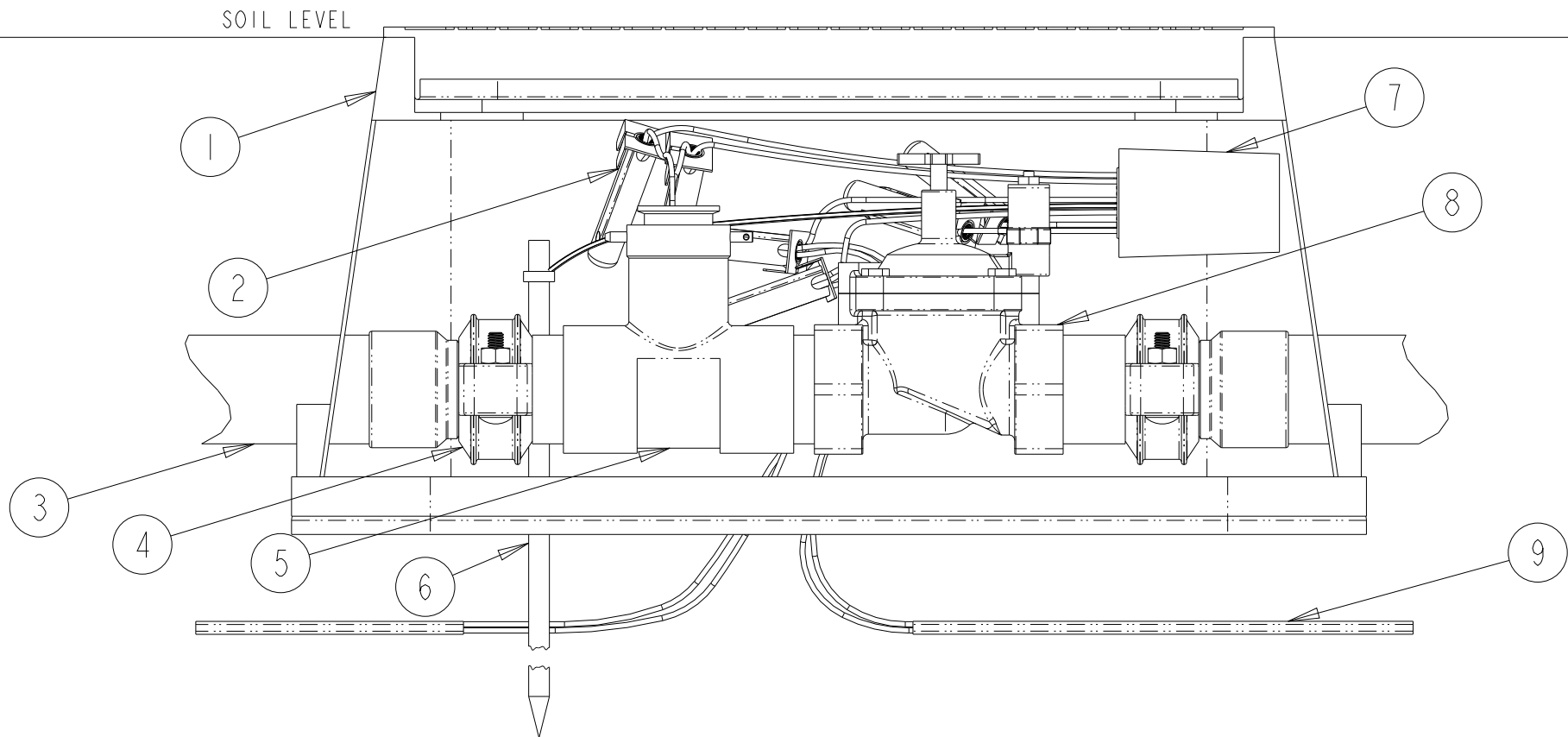
TUCOR, INC.

UNLESS OTHERWISE  
SPECIFIED DIMENSIONS  
ARE IN INCHES

2 PL DECIMALS	0.01
3 PL DECIMALS	0.001
SIZE	SCALE
A	0.025
MODEL TYPE	SHEET
ASSEM	1 OF 3

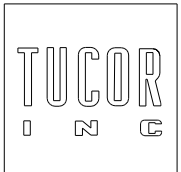
FMV VALVEBOX INSTALL DETAIL

VALVEBOX\_2INCH\_DECODER



- |   |                                |
|---|--------------------------------|
| 1 | NDS STANDARD JUMBO VALVE BOX   |
| 2 | WATERPROOF WIRE CONNECTOR (6X) |
| 3 | PVC MAINLINE                   |
| 4 | VICTAULIC COUPLING (2X)        |
| 5 | ULTRASONIC FLOWMETER           |

- |   |                        |
|---|------------------------|
| 6 | GROUNDING ROD          |
| 7 | TUCOR 3D-FMV-M DECODER |
| 8 | MASTER VALVE           |
| 9 | TWO-WIRE CABLE         |

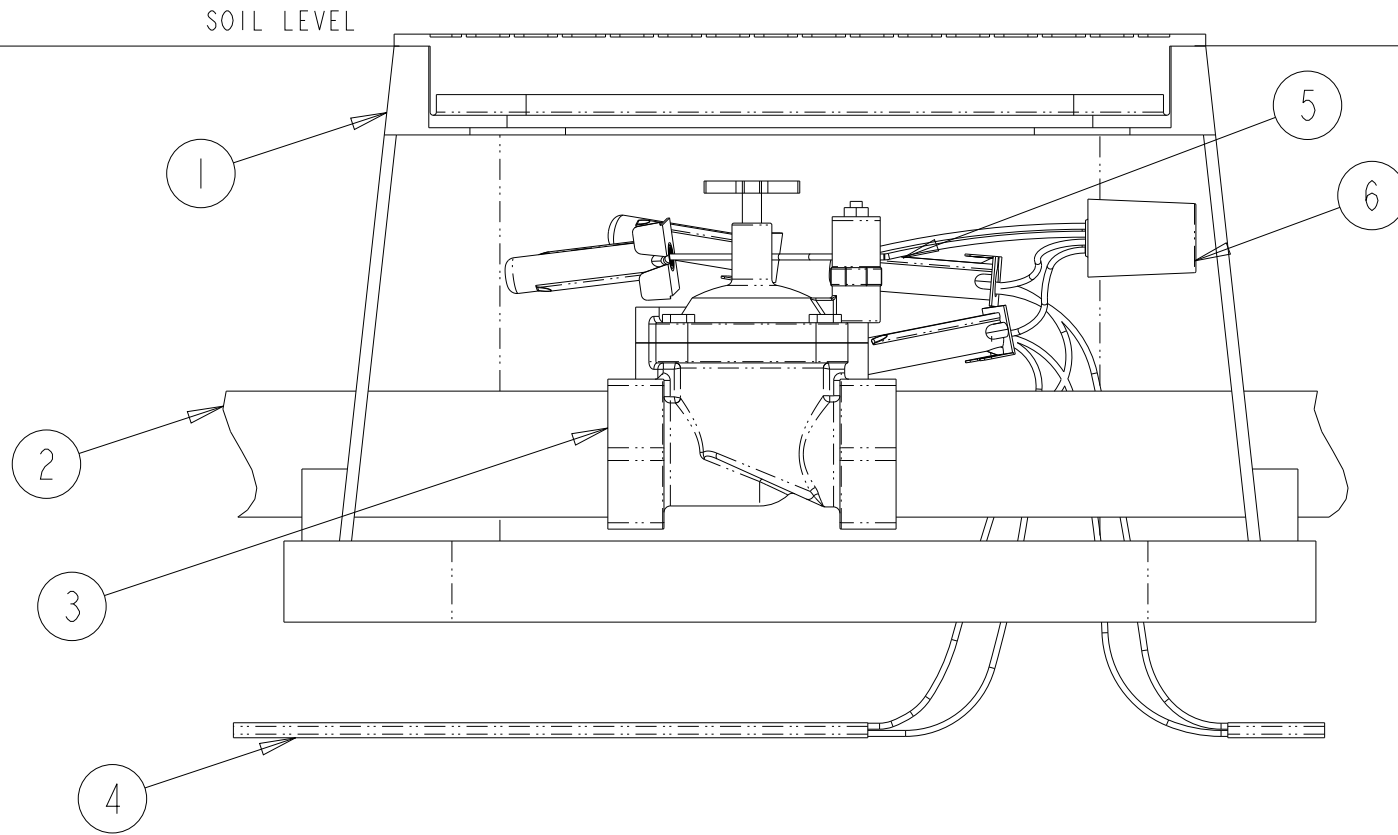


TUCOR, INC.

UNLESS OTHERWISE SPECIFIED DIMENSIONS ARE IN INCHES	
2 PL DECIMALS	0.01
3 PL DECIMALS	0.001
SIZE	SCALE
A	0.025
MODEL TYPE	SHEET
ASSEM	2 OF 3

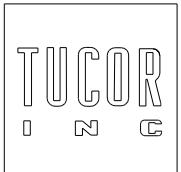
FMV VALVEBOX INSTALL DETAIL

VALVEBOX\_2INCH\_DECODER



- 1 NDS STANDARD VALVE BOX
- 2 PVC MAINLINE
- 3 MASTER VALVE

- 4 TWO-WIRE CABLE
- 5 WATERPROOF WIRE CONNECTOR (4X)
- 6 TUCOR 3DLD-050 DECODER



TUCOR, INC.

UNLESS OTHERWISE SPECIFIED DIMENSIONS ARE IN INCHES	
2 PL DECIMALS	0.01
3 PL DECIMALS	0.001
SIZE	SCALE
A	0.025
MODEL TYPE	SHEET
ASSEM	3 OF 3

FMV VALVEBOX INSTALL DETAIL

VALVEBOX\_2INCH\_DECODER